

- Constant power
- 3 year warranty
- 50% faster servicing

Pneumatic piston pumps **JAGUAR[®] 38-300/75-150**

**Versatile and
powerful!**

WAGNER
IceBreaker[®]
MOTOR

PARA MAIS INFORMAÇÕES:
MAQUISPRAY

Rua Principal nº 9, Apartado 78
A-do-Barbas
2405-909 Maceira LRA
Portugal
Tel 244.775.171 / 2 | Fax 244.778.464
info@maquispray.pt
www.maquispray.pt



WAGNER

Pneumatic piston pumps

JAGUAR® 38-300

JAGUAR® 75-150



WAGNER®
IceBreaker®
MOTOR

PARA MAIS INFORMAÇÕES:
MAQUISPRAY

Rua Principal nº 9, Apartado 78
A-do-Barbas
2405-909 Maceira LRA
Portugal
Tel 244.775.171 / 2 | Fax 244.778.464
info@maquispray.pt
www.maquispray.pt

The innovation!

With the new IceBreaker air motors WAGNER provides decisive advantages for practical use with its pneumatic piston pumps!

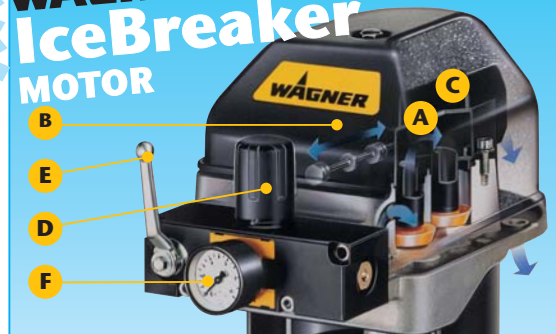
Our design innovations have reduced the inevitable power losses due to icing down to a minimum.

Downtime due to the earlier need for thawing out are now a thing of the past!

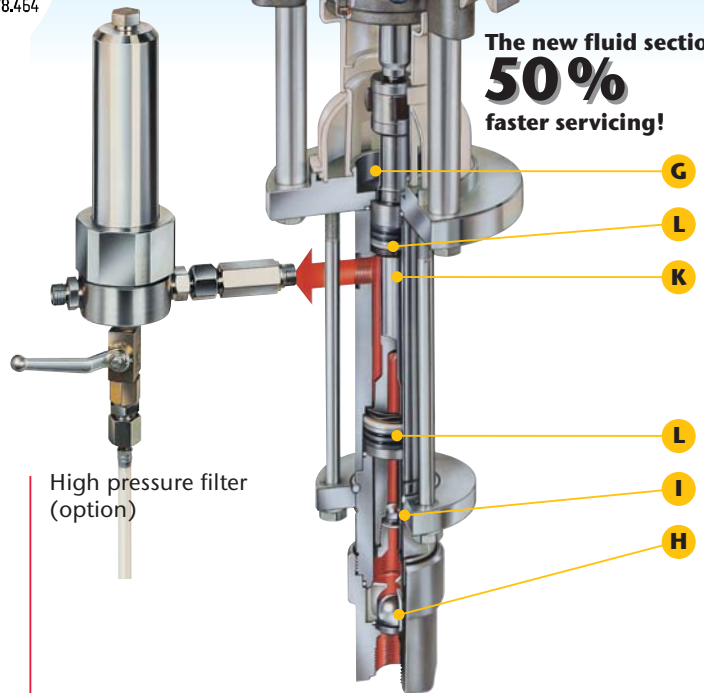
Perfect power!

The new generation of WAGNER pumps provide powerful pressure! They convert pure energy into perfect performance and have reserves of power that will completely convince you in practical use.

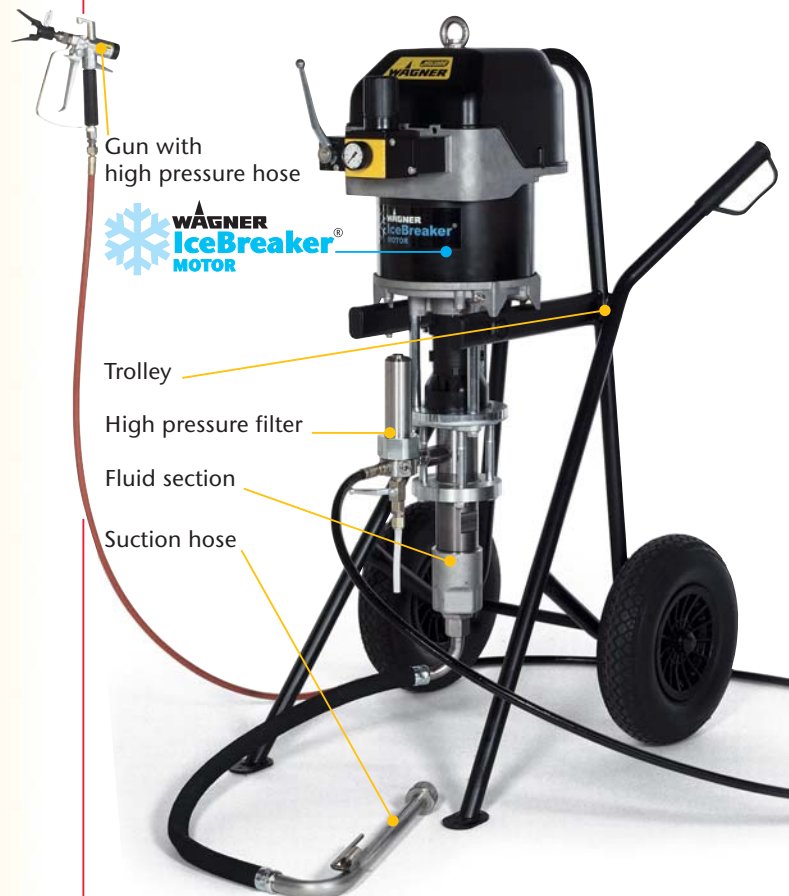
High pressure-transmission, lots of pressure for brilliant atomisation. The JAGUAR pumps are efficient power packs, ideally suited for the application of difficult materials even under extreme conditions and tight deadlines.



The new fluid section:
50%
faster servicing!



High pressure filter (option)



WAGNER

Constant power!

- **The new WAGNER IceBreaker air motor**
- Minimal icing, no interruptions to work thanks to new internal geometry (A).
- The pneumatic control valve doesn't need any lubricating oil
- Absolutely **minimum pulsation** to ensure a uniform spray fan
- Robust control housing (B) with integral silencer (C)
- Safety valve prevents over-pressurisation

Easy handling!

- **50 % faster maintenance = greater economy**
- **Compact, integral pressure regulator unit:**
- Shut-off / air bleed valve (E), pressure regulator (D), pressure gauge (F). You always have the power completely in your control!
- **Easily maintained fluid section**
- **Optimized inlet valve for simple hand assembly without tools**
- Easily cleaned separating fluid chamber (G).
- Packing changed quickly without special tools
- Large inlet (H) and outlet valves (I) for optimum flow, even with high viscosity materials
- High suction volume

Stainless steel quality!

- **15 % fewer components = less wear**
- **All pump parts in contact with paint are made of stainless steel**
- Tungsten carbide valve seats
- Hard chromed pump piston (K)
- Static, self adjusting packings (L)
- High pressure filter (option) with replaceable filter inserts

3 years warranty!

- **WAGNER long-term warranty*:** Further convincing proof of the reliability and quality of the new WAGNER piston pumps ... **Who offers you more?!**
- **Close to the customer, excellent customer service** You will always find WAGNER in your area

**excluding wear parts*

Universal use!

The new pumps of the JAGUAR line are easy to operate, high performance spraying units for low solvent materials with a high solids content. Extremely long hoses, high viscosities and several spray guns with large nozzles are no problem.

Even under difficult operating conditions the JAGUAR pumps, with the tried and tested IceBreaker motor, will operate reliably and efficiently in many areas of operation

- **Steel construction**
- **Shipyards**
- **Offshore industry**
- **Transport industry**
- **Tank coating**

Whether mobile or stationary, the JAGUAR pumps can be used universally and guarantee perfect surfaces and results with water or solvent-based materials such as:

- **Epoxies**
- **Polyurethanes**
- **Zinc primers**
- **Anti-corrosion paints**
- **Building paints**
- **Flame proofing**



PARA MAIS INFORMAÇÕES:
MAQUISPRAY

Rua Principal nº 9, Apartado 78
A-do-Barbas
2405-909 Maceira LRA
Portugal
Tel 244.775.171 / 2 | Fax 244.778.464
info@maquispray.pt
www.maquispray.pt

Pneumatic piston pumps

JAGUAR® 38-300

JAGUAR® 75-150

Technical data:

	38-300	75-150
Pressure transmission ratio:	38:1	75:1
Volumetric flow per double stroke:	300 ccm	150 ccm
Max. working pressure:	270 bar	530 bar
Max. possible stroke rate:	50 DH/min	
Max. air inlet pressure:	7,1 bar	
Air consumption at 6 bar:	80 NL	
Sound level at max. permissible air pressure:	83 dBA	
Max. nozzle size in continuous operation at 150 bar:	1x0,052"	1x0,035"

The Spraypacks

- 0369 040 **JAGUAR 38-300, trolley**, pump with high pressure filter and suction hose, trolley, without paint hose and spray gun
- 0369 041 **JAGUAR 38-300, wall**, pump with high pressure filter, suction hose and wall mount, without paint hose and spray gun
- 0369 050 **JAGUAR 75-150, trolley**, pump **complete** with high pressure filter, suction hose and trolley, 15 m paint hose, G 15 Airless gun and nozzle
- 0369 051 **JAGUAR 75-150 Spraypack, wall**, pump with high pressure filter, suction hose and wall mount, without paint hose and spray gun

The Accessories

- 0097 089 Return hose
- 0115 285 Extension hose, DN 25
- 0115 175 Drum suction pipe
- 0250 245 Suction filter 0.8 mesh width
- 0250 243 Suction filter 1.25 mesh width
- 0347 002 G 15 Airless gun
- 1088 001 Wagner Tip holder
- 1088 xxx Wagner Tip nozzles (various sizes)
- 0090 xxx Standard nozzle

PARA MAIS INFORMAÇÕES:
MAQUISPRAY

Rua Principal nº 9, Apartado 78
A-do-Barbas
2405-909 Maceira LRA
Portugal
Tel 244.775.171 / 2 | Fax 244.778.464
info@maquispray.pt
www.maquispray.pt



JAGUAR 75-150 pump with wall mount and flexible suction hose

JAGUAR 38-300 pump with wall mount, drum cover with agitator and suction system



WAGNER

www.wagner-group.com

